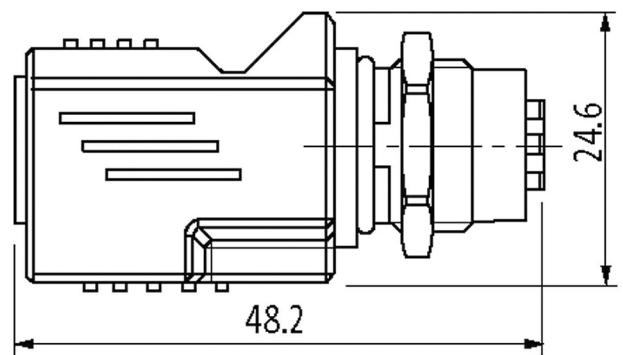


M12 Bu. D-cod. / RJ45 Ethernet adapter 0° 4-pol.

Ethernet CAT5
 Control cabinet entry system
 Female straight – female straight
 M12 – RJ45, 4-pole
 D-coded
 shielded

Plastic housings with good resistance against chemicals and oils.
 The resistance to aggressive media should be individually tested for your application. Further details on request.

Illustration

Depth: 23 mm

Product may differ from Image

More Info

EtherNet/IP

**Form**

Form 44671

Technical Data

Operating voltage	max. 60 V DC
Operating current per contact	max. 1.76 A
Transfer parameters	CAT5, Class D (ISO/IEC 11801:2002), (EN 50173-1)

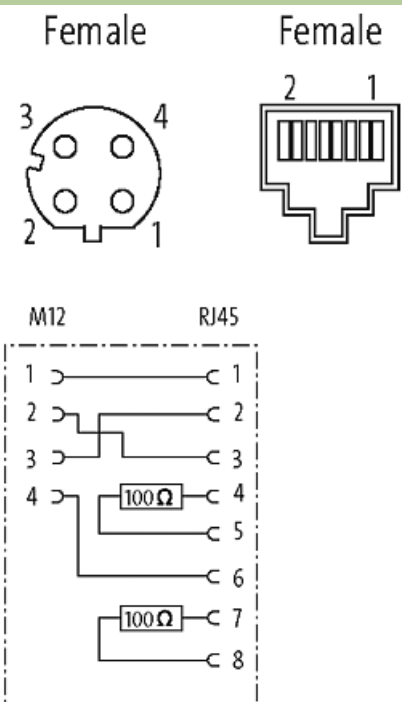
Transfer rate	up to 100 Mbit/s full duplex
Coding	M12, D-coded
Protection	IP68 (M12) - IP20 (RJ45)
Locking material	Brass, chrome plated
Material	PUR

General data

Temperature range	-25...+85 °C
-------------------	--------------

Commercial data

country of origin	CZ
customs tariff number	85366990
EAN	4048879566896
eClass	27143423
Packaging unit	1

Sketch

Product may differ from Image